

Extreme™

PERFORMANCE RUBBER DOORS

High performance, high speed, impactable doors for your most challenging environments.



CORNELL
SAFE AND SECURE

Extreme™

PERFORMANCE RUBBER DOORS

Industrial and Commercial Applications:

Confidence that your doors won't let you down puts money in your pocket. Specifying a door built to your application provides payback in these tough environments:

- Pressure differentials from winds or ventilation airflow.
- Extreme climate conditions: torrential rain, blizzard snow, scorching heat and frigid cold.
- Fast paced traffic demands with doors required to go 24/7 all year long.
- Extreme dirt or corrosive factors.
- Accidental impact from trains, trucks, trams and other equipment.

Product Benefits

Maximum Up-Time

- NEWGEN® Guide and CurtainLok™ retention system withstands severe winds and impacts from any direction.
- Dependable and proven heavy duty drive system configurations.
- Simple, no tools curtain resetting.

Easy to Maintain

- NEWGEN® Guide is one piece, high strength aluminum.
- No hinges, cables, pulleys or curtain guide gap to maintain.
- All parts readily available due to simplified design.

Long Life

- Thick SBR rubber with reinforced core weave withstands head-on impacts.
- Straight forward, sustainable design.
- Innovative simplicity of NEWGEN® Guide and mechanically fastened CurtainLoks™ virtually eliminates wear.
- Lifetime warranty on curtain, NEWGEN® Guide and CurtainLok™ System.

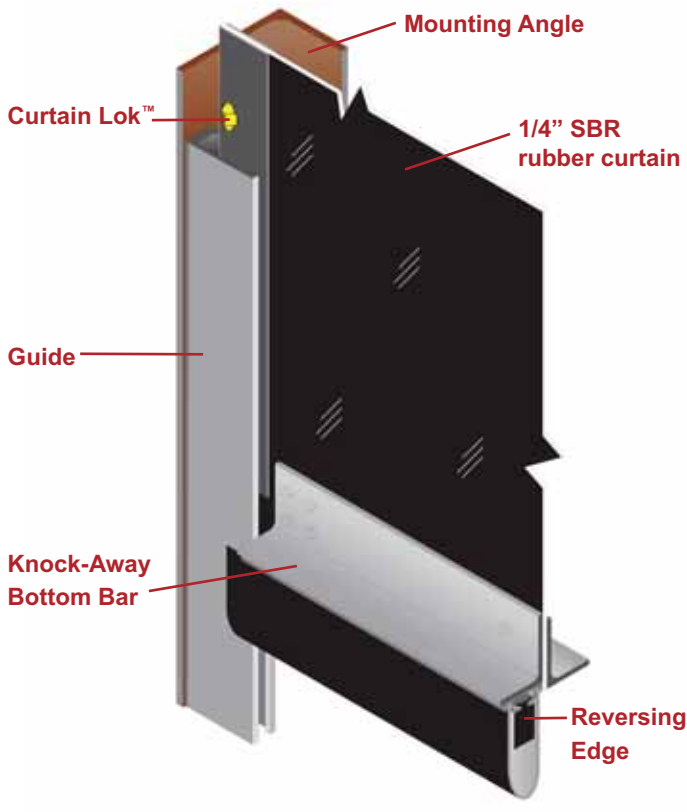
Practical Design Applications

- **Heavy Manufacturing:** Railcars, automotive, aircraft, military, construction equipment, sand blasting booths, blast freezers.
- **Maintenance Buildings** - Mining, rail, transit, military.
- **Primary Extraction** - Mining (headframes, crusher and load outs), smelting, refining, oil sands, agriculture.
- **Primary Resource Manufacturing** - steel, aluminum, pulp and paper, food processing; waste transfer and recycling facilities.
- **Transportation** - Airport, postal, rail, courier, city transit facilities, parking garages, underground parking.

In the most severe applications, Extreme™ Performance Rubber Roll Up Doors deliver unmatched durability and reliability. Year after year, receive trusted performance with maximum up-time and minimal maintenance. You get the door you need, especially for applications with rugged, harsh environments, high pressure and windload, door impact concerns and high traffic conditions.



NEWGEN® Guide & Curtain Lok™ System



Extreme™ Performance Mechanical Components

- 1/4" Black SBR rubber with polyester core. Flexible and resistant to abusive environments and impacts in temperatures from -40°F to +180°F.
- Patented NEWGEN® guide and CurtainLok™ system. Reliable and consistent door operation and impact release performance. No guide gap maintenance required.
- Outboard springs standard.
- Impactable: after impact door is up and running in minutes.
- Knock-away double angle steel bottom bar with rubber astragal and reversing edge.
- Frame mounted thru-beam photoelectric sensor.
- Sleek profile with easy installation, reduced clearances and minimal maintenance. No hinges, cables, pulleys or tension springs.
- Options: colors, windows, hoods, traveling windbar, MSHA-rated self-extinguishing curtains, corrosive resistant curtains, internal springs.

Built to your application, Extreme™ Performance Rubber Door models meet your needs

Model EPR-10: Full line of drive system choices to match size, traffic flow, speed and maintenance factors.

- Options for all types of traffic access and environments.

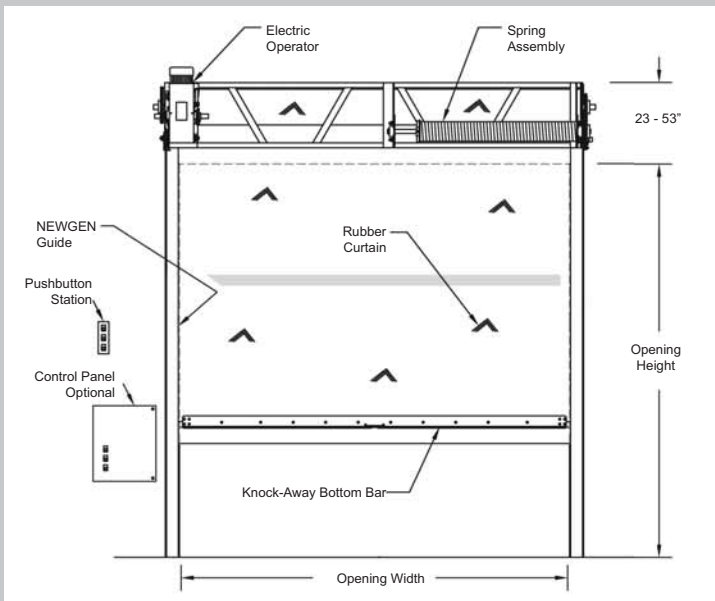
Model EPR-20: Springless cycle duty design for extreme high cycle applications. Also accommodates low headroom conditions.

- NEWGEN® Guide and CurtainLok™ system covers your impact, pressure and wind concerns.
- Sleek profile offers reduced clearance requirements.

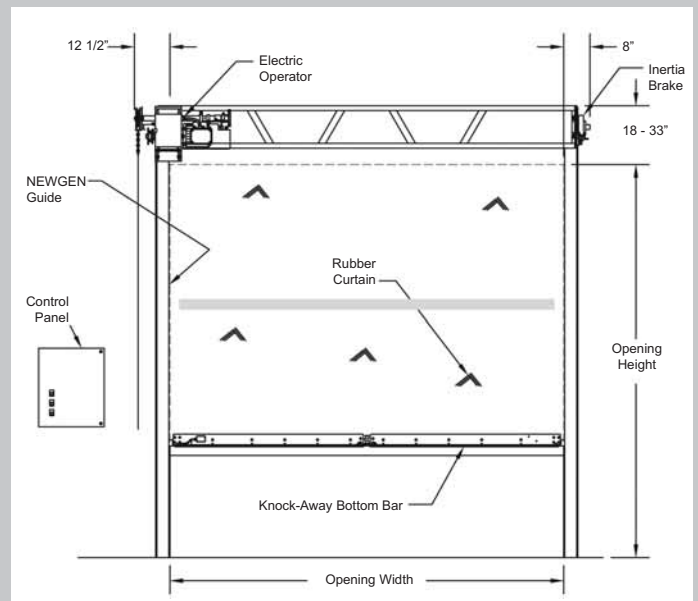
... and motor operator configuration requirements

- Heavy duty gear head (RG) operator or high efficiency helical gear head (HG) operator with multi-function capacity PLC.
- Door speeds to meet your design requirements.
- Options: access controls and specialty functions.

Mounting & Clearances



**Counterbalance Spring Assembly
Model EPR-10**



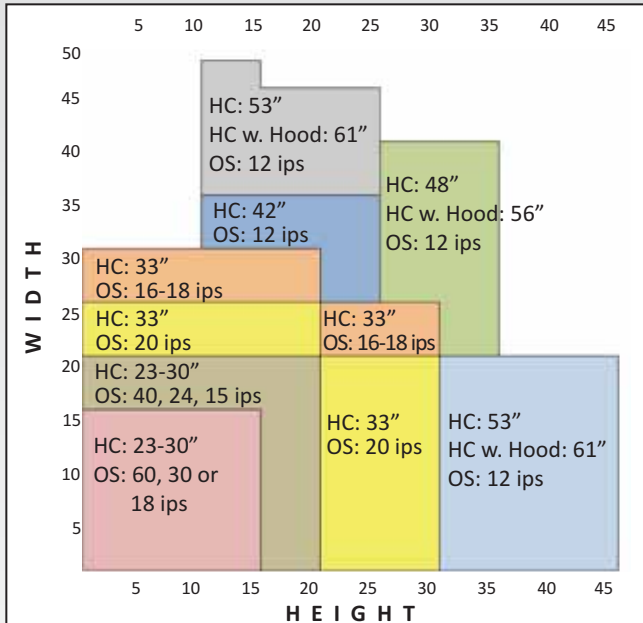
**Springless Cycle Duty Design
Model EPR-20**

Extreme™ Performance Rubber Door Product Selection Charts

| Size Limits: | | Model EPR-10 High Performance | | | | Model EPR-20 Springless |
|------------------------------|--|----------------------------------|---------------|--------------|---------------------------------|--|
| | | 20'W x 20'H | 20'W x 20'H | 30'W or 30'H | 47'W or 45'H | 25'W or 30'H |
| Operation: | Manual Operation | x | | | | |
| | Motor Operation | | x | x | x | x |
| Opening speed ¹ : | Measured in inches per second | | 15 - 60" | 16 - 20" | 10-12" | 16 - 30" |
| Cycle rating (,000): | Counterbalance spring assembly Springless EPR-20 | 50 | 100 | 50 | 50 | unlimited, |
| | 200,000 cycle springs option ² | x | x | x | x | warranted 2 yrs |
| Springless design: | Direct connect inertia brake mounted on the drive barrel shaft | | | | | x |
| Headroom clearance: | | 25" | 30" | 33" | 53" | </= 10'H - 18" </= 15'H - 25" </= 30'H - 33" |
| Operators: | Standard gear head | | 15 - 30"/sec. | x | x | |
| | Gear head with inverter drive soft start, soft stop | | 40 - 60"/sec. | | | x |
| Control panels: | Relay logic | | x | x | x | |
| | PLC (available with std. GH, included with inverter drive) | | x | x | x | x |
| Type of curtain: | 1/4" black SBR rubber with polyester core weave | x | x | x | x | x |
| Reversing edge: | Pressure sensitive air wave edge. Also thru-beam photoelectric sensor. | | x | x | x | x |
| Activation: | Remotes, pull cords, loop detectors, etc. | | x | x | x | x |
| Impactability: | NEWGEN® Guide and CurtainLok™ System, knock-away bottom bar | x | x | x | > 35'W, 25'H consult factory | x |
| Warranty: | Two years on parts and workmanship, limited lifetime on curtain and NEWGEN® Guide | x | x | x | x | x |

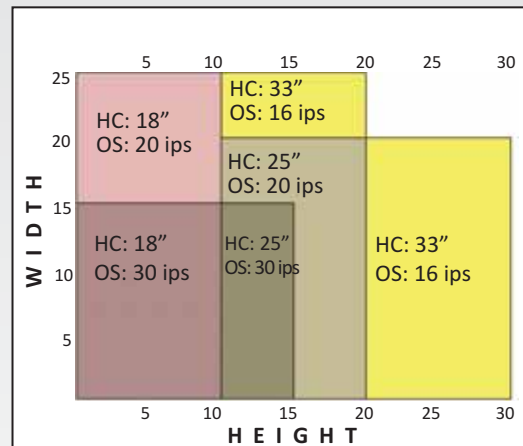
¹Speed will vary depending on door size. Refer to chart below. Consult Cornell when product details are critical.

²Availability of 200,000 cycle springs dependant on door size. Consult Cornell when product details are critical.



Counterbalance Spring Assembly, Model EPR-10

HC = Headroom Clearance
OS = Opening Speed
ips = inches per second



Springless Cycle Duty Design, Model EPR-20

CORNELL

SAFE AND SECURE

An ISO 9001:2008 Registered Company

Crestwood Industrial Park • Mountaintop, PA 18707 • TEL 800.233.8366 • FAX 800.526.0841

Architect & Design Support Dept.: Ext. 551 • Email: ADS@cornelliron.com

Website: www.cornelliron.com